



# INSULATED MARKET TOTE

The Insulated Market Tote expands to a large, durable, lightweight tote that is great for groceries, picnics or dry goods. It also converts to a half size tote! When not in use, it folds down to a small pouch that can be kept in your purse or briefcase for easy accessibility.

This tote features an Ultra Safe® leak proof, easy clean lining with Microban® protection.

*Note: If the tote is tipped over, liquids may leak through the zipper.*

Both the interior and exterior of this product can be easily cleaned with a damp cloth. Hang to dry.

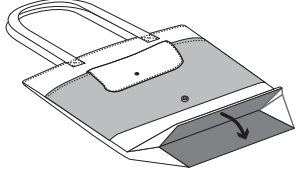
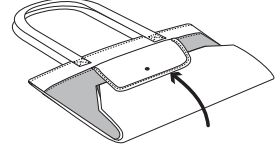
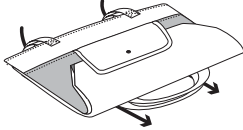
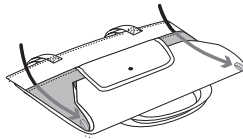
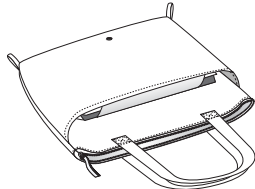
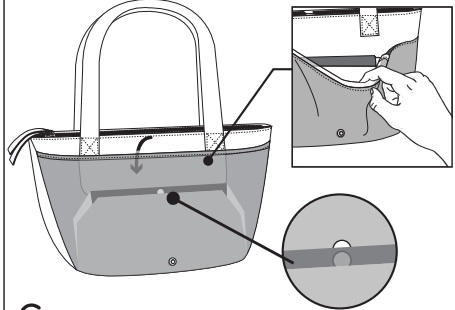
Any questions or concerns, please email [service@ca-innovations.com](mailto:service@ca-innovations.com) or call our toll free number: 1-888-413-COOL (2665), ext. 240. For our latest product line-up and more information on our product features, visit our website [www.arcticzone.com](http://www.arcticzone.com).

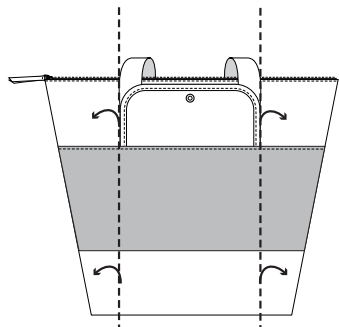
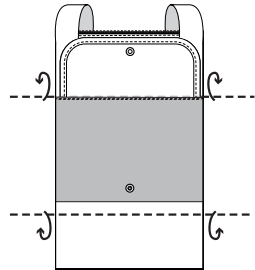
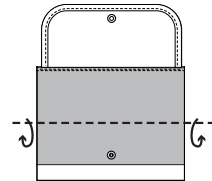
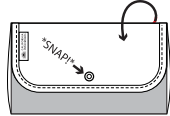
All information is strictly confidential and will not be shared with other companies.

## LIMITED LIFETIME WARRANTY

This warranty covers any defects in workmanship or material that arise during the normal lifetime of the product. Any problem that is caused by abuse or negligence is not covered. Normal wear and color fading are not covered. We will repair or replace, at our discretion, any product that proves to be defective in materials or workmanship with the same or similar product at no charge to you. Simply email a photo of your defective product to [service@ca-innovations.com](mailto:service@ca-innovations.com) or we may ask you to mail it to California Innovations, Inc. 36 Dufflaw Rd., Toronto, Canada M6A 2W1. Incidental, consequential and special damages are not covered. Some states or provinces do not allow the exclusion or limitation of incidental, consequential or special damages, so the above limitation or exclusion may not apply to you. This warranty gives you specific legal rights, and you may also have other rights, which vary, from state to state or province to province.

To see a video on how to convert from full to half-size tote and for folding instructions, go to: [californiainnovations.com/markettote](http://californiainnovations.com/markettote)

CONVERTING FULL-SIZE TOTE INTO HALF-SIZE TOTE	
 <p>1. Flatten bag</p>	 <p>2. Fold bottom section up <b>once</b> and snap pocket flap to bottom button</p>
 <p>3. Fold handles behind</p>	 <p>4. Turn front pocket inside out by pulling on the 2 small loops on either corner <b>inside</b> the pocket</p>
 <p>5. Press bottom down to flatten inside front pocket</p>	 <p>6. Bottom neatly folds inside pocket</p>

FOLDING FULL-SIZE TOTE INTO CARRY POUCH	
 <p>1. Fold handles and side sections back at dashed lines</p>	 <p>2. Fold top and bottom sections back at dashed lines (do not fold flap)</p>
 <p>3. Fold bottom half <b>back</b></p>	 <p>4. Flip over, then snap closed with flap button</p>